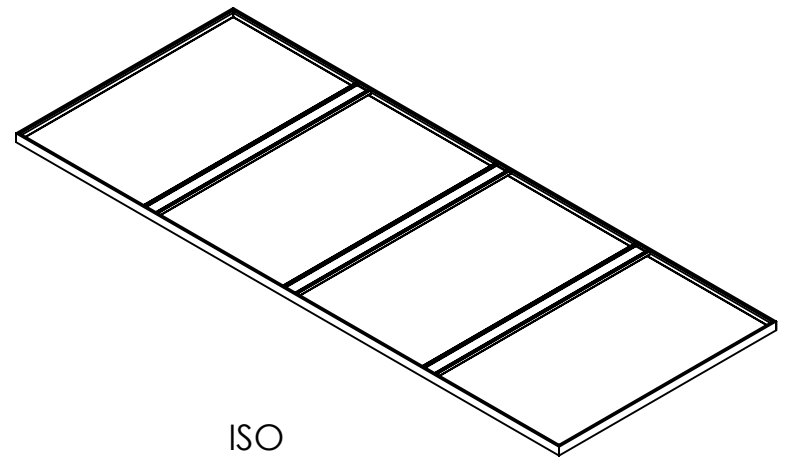


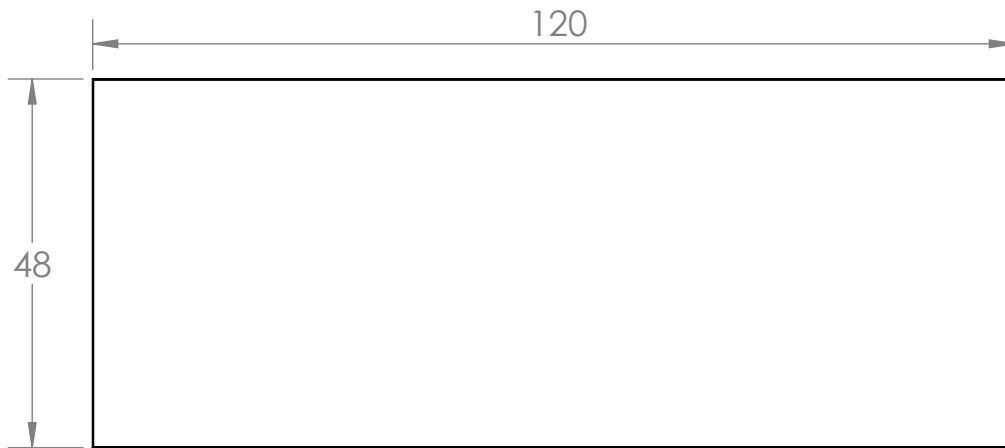
BACK



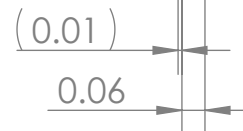
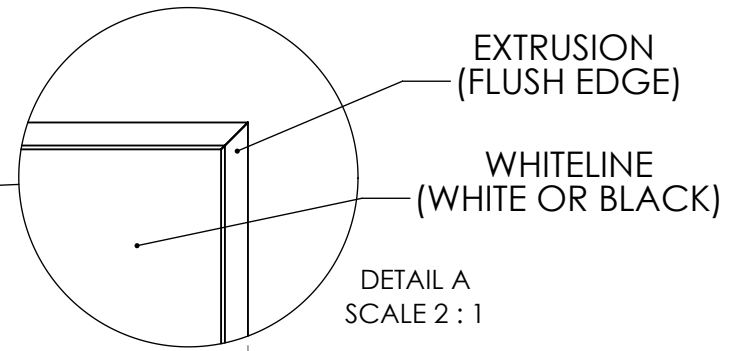
ISO



SIDE



FACE



Notes:

1. Due to the nature of Willtec foam, the material may grow or shrink 3-5% by volume. Squareness less than 3.0mm on diagonal.
2. Reference S&R for materials and finish.

Material:	SEE NOTES
INCHES	
DRAWN BY:	DATE:
ETM	12/11/2019
CHECKED:	DATE:
CUSTOMER APPROVAL:	DATE:
Unless Specified Tolerances are:	
X	
.X	.1
.XX	.25
.XXX	.080
Third Angle Projection	

A	DATE	DESCRIPTION	ETM
REV	DATE	DESCRIPTION	INIT.

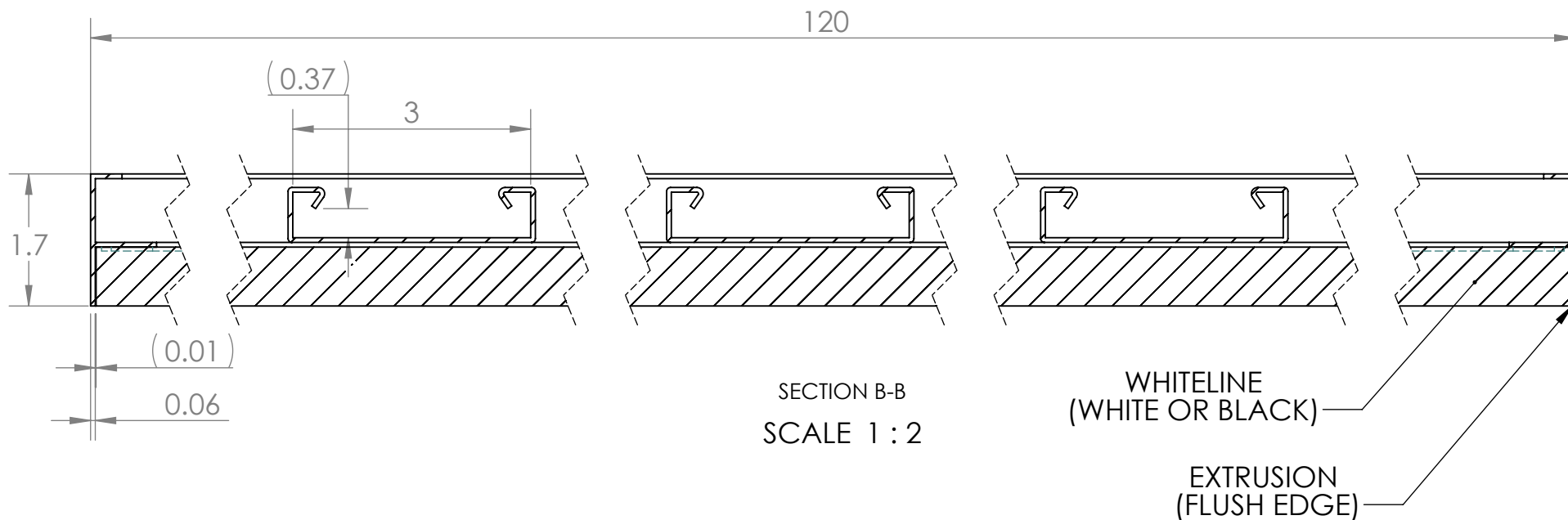
Revision Record



2601 49th Ave. No \* Minneapolis, MN 55430  
Phone 612.355.4200 \* Fax 612.355.4299

File Name: BCC-10 FE

SIZE	QUOTE #	FGI NO.	REV
B			A
DO NOT SCALE DRAWING		SHEET 1 OF 2	



SECTION B-B  
SCALE 1 : 2

WHITELINE  
(WHITE OR BLACK)

EXTRUSION  
(FLUSH EDGE)

Notes:

1. Due to the nature of Willtec foam, the material may grow or shrink 3-5% by volume. Squareness less than 3.0mm on diagonal.
2. Reference S&R for materials and finish.

Material:	SEE NOTES
INCHES	
DRAWN BY:	DATE:
ETM	12/11/2019
CHECKED:	DATE:
CUSTOMER APPROVAL:	DATE:
Unless Specified Tolerances are:	
X	
.X	.1
.XX	.25
.XXX	.080
Third Angle Projection	

A	DATE	DESCRIPTION	ETM
REV	DATE	DESCRIPTION	INIT.

**Revision Record**

**pinta**acoustic

2601 49th Ave. No \* Minneapolis, MN 55430  
Phone 612.355.4200 \* Fax 612.355.4299

File Name: **BCC-10 FE (FLUSH EDGE)**

SIZE	QUOTE #	FGI NO.	REV
<b>B</b>			<b>A</b>

DO NOT SCALE DRAWING      SHEET 2 OF 2