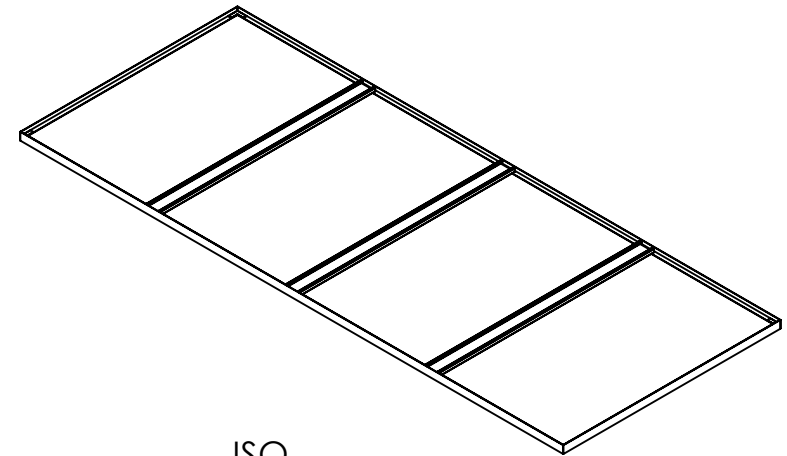


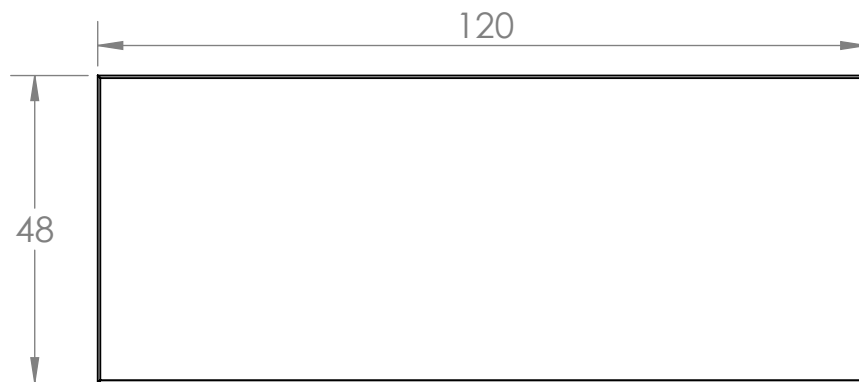
BACK



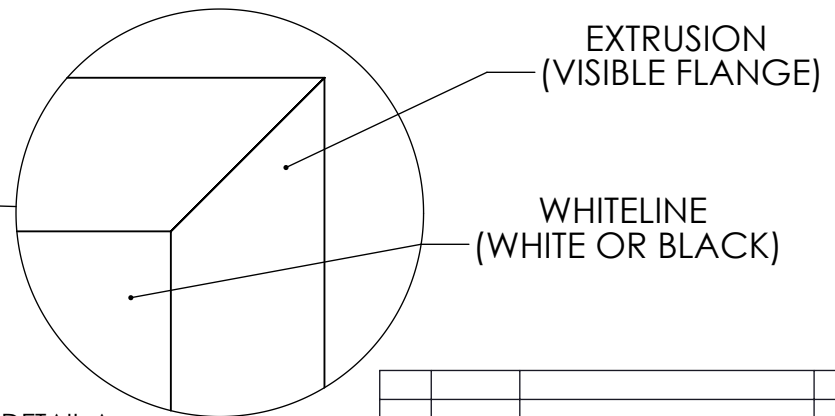
ISO



SIDE



FACE



DETAIL A
SCALE 2 : 1

Notes:

1. Due to the nature of Willtec foam, the material may grow or shrink 3-5% by volume. Squareness less than 3.0mm on diagonal.
2. Reference S&R for materials and finish.

| | |
|----------------------------------|------------|
| Material: | SEE NOTES |
| INCHES | |
| DRAWN BY: | DATE: |
| ETM | 12/11/2019 |
| CHECKED: | DATE: |
| CUSTOMER APPROVAL: | DATE: |
| Unless Specified Tolerances are: | |
| X | |
| .X | .1 |
| .XX | .25 |
| .XXX | .080 |
| Third Angle Projection | |

| A | DATE | DESCRIPTION | ETM |
|-----|------|-------------|-------|
| | | | |
| | | | |
| | | | |
| REV | DATE | DESCRIPTION | INIT. |

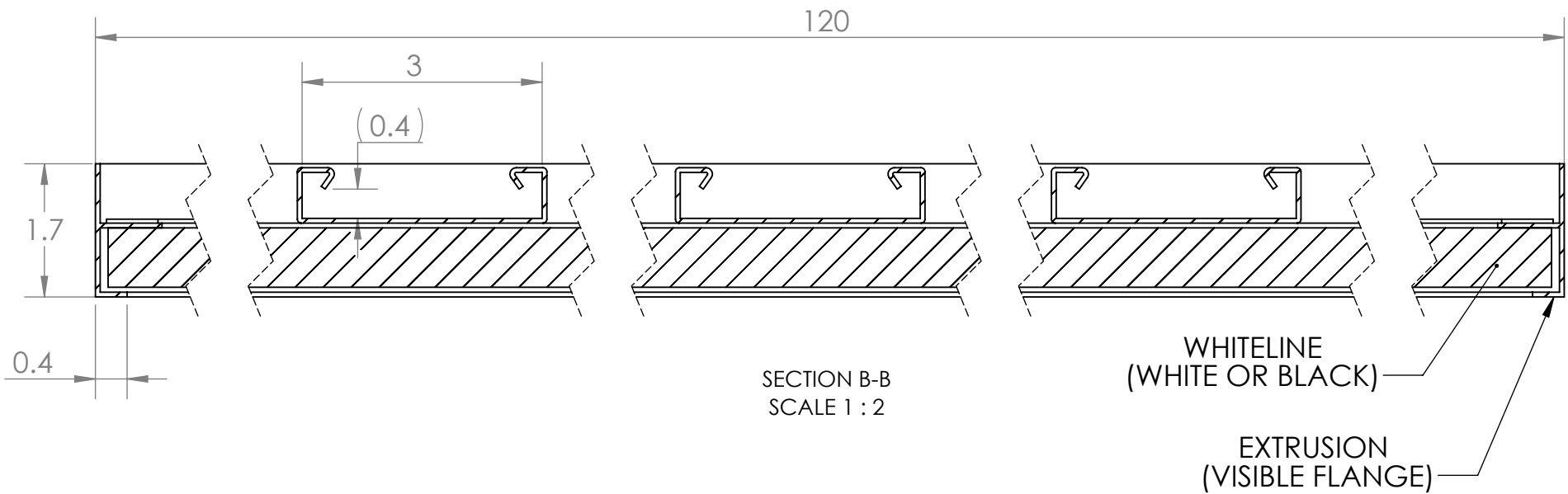
Revision Record



2601 49th Ave. No * Minneapolis, MN 55430
Phone 612.355.4200 * Fax 612.355.4299

File Name: BCC-10 VF

| | | | |
|----------------------|---------|--------------|-----|
| SIZE | QUOTE # | FGI NO. | REV |
| B | | | A |
| DO NOT SCALE DRAWING | | SHEET 1 OF 2 | |



Notes:

1. Due to the nature of Willtec foam, the material may grow or shrink 3-5% by volume. Squareness less than 3.0mm on diagonal.
2. Reference S&R for materials and finish.

Material: SEE NOTES

INCHES

DRAWN BY: ETM
DATE: 12/11/2019

CHECKED: DATE:

CUSTOMER APPROVAL: DATE:

Unless Specified
Tolerances are:

X
.X .1
.XX .25
.XXX .080

Third Angle Projection

| REV | DATE | DESCRIPTION | INIT. |
|-----|------|-------------|-------|
| A | DATE | DESCRIPTION | ETM |
| | | | |
| | | | |
| | | | |

Revision Record

pintaacoustic

2601 49th Ave. No * Minneapolis, MN 55430
Phone 612.355.4200 * Fax 612.355.4299

File Name: BCC-10 VF (VISIBLE FLANGE)

| SIZE | QUOTE # | FGI NO. | REV |
|------|---------|---------|-----|
| B | | | A |

DO NOT SCALE DRAWING SHEET 2 OF 2