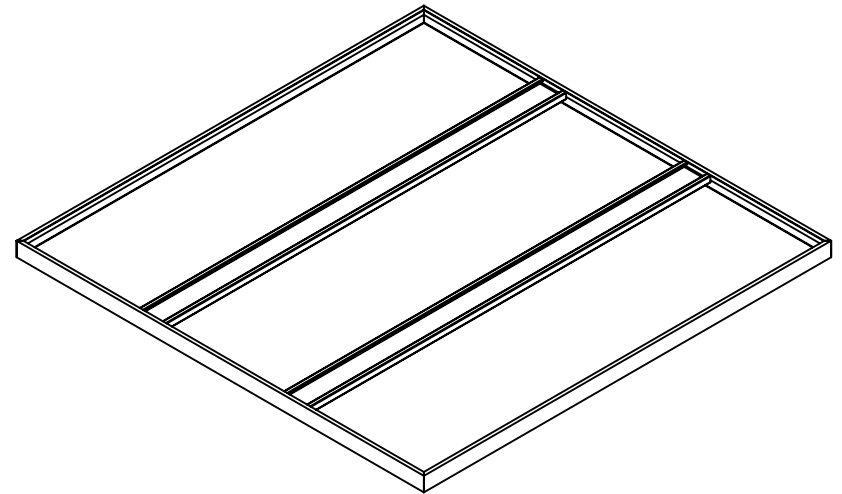


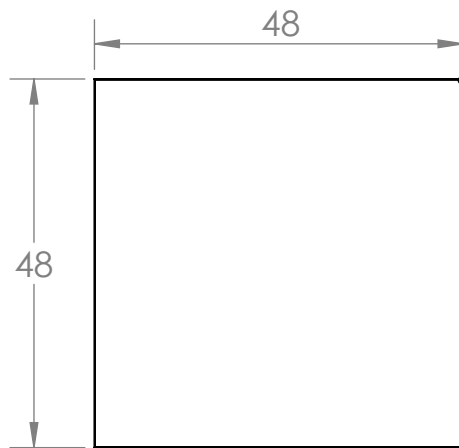
BACK



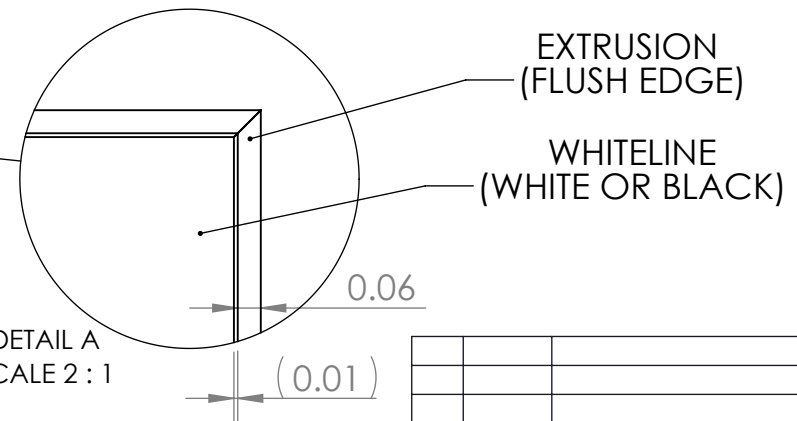
ISO



SIDE



FACE



DETAIL A
SCALE 2 : 1

Notes:

1. Due to the nature of Willtec foam, the material may grow or shrink 3-5% by volume. Squareness less than 3.0mm on diagonal.
2. Reference S&R for materials and finish.

Material:	SEE NOTES
INCHES	
DRAWN BY:	DATE:
ETM	12/11/2019
CHECKED:	DATE:
CUSTOMER APPROVAL:	DATE:
Unless Specified Tolerances are:	
X	
.X	.1
.XX	.25
.XXX	.080
Third Angle Projection	

A	DATE	DESCRIPTION	ETM
REV	DATE	DESCRIPTION	INIT.

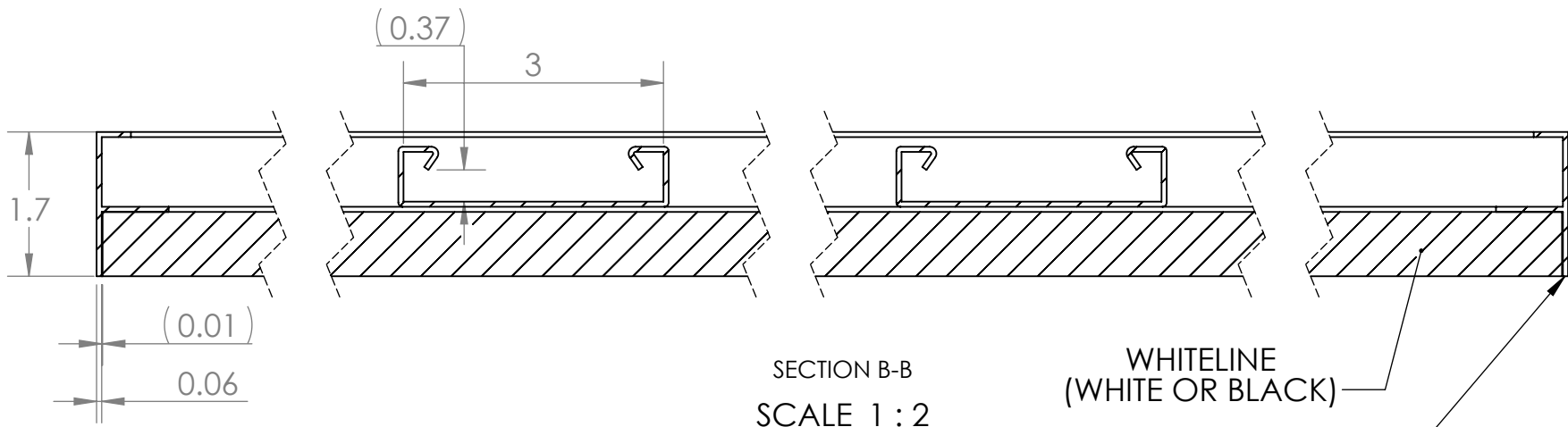
Revision Record



2601 49th Ave. No * Minneapolis, MN 55430
Phone 612.355.4200 * Fax 612.355.4299

File Name: BCC-4 FE

SIZE	QUOTE #	FGI NO.	REV
B			A
DO NOT SCALE DRAWING		SHEET 1 OF 2	



SECTION B-B
SCALE 1 : 2

WHITELINE
(WHITE OR BLACK)

EXTRUSION
(FLUSH EDGE)

Notes:

1. Due to the nature of Willtec foam, the material may grow or shrink 3-5% by volume. Squareness less than 3.0mm on diagonal.
2. Reference S&R for materials and finish.

Material: SEE NOTES

INCHES

DRAWN BY: ETM
DATE: 12/11/2019

CHECKED: DATE:

CUSTOMER APPROVAL: DATE:

Unless Specified
Tolerances are:

X
.X .1
.XX .25
.XXX .080

Third Angle Projection

REV	DATE	DESCRIPTION	INIT.
A	DATE	DESCRIPTION	ETM

Revision Record



2601 49th Ave. No * Minneapolis, MN 55430
Phone 612.355.4200 * Fax 612.355.4299

File Name: BCC-4 FE (FLUSH EDGE)

SIZE B	QUOTE #	FGI NO.	REV A
------------------	---------	---------	-----------------