

Notes:

1. Due to the nature of Willtec foam, the material may grow or shrink 3-5% by volume. Squareness less than 3.0mm on diagonal.
2. Reference S&R for materials and finish.

Material: SEE NOTES	
INCHES	
DRAWN BY: ETM	DATE: 12/11/2019
CHECKED:	DATE:
CUSTOMER APPROVAL:	DATE:
Unless Specified Tolerances are:	
X	
.X	.1
.XX	.25
.XXX	.080
Third Angle Projection	

REV	DATE	DESCRIPTION	INIT.
A			ETM

Revision Record

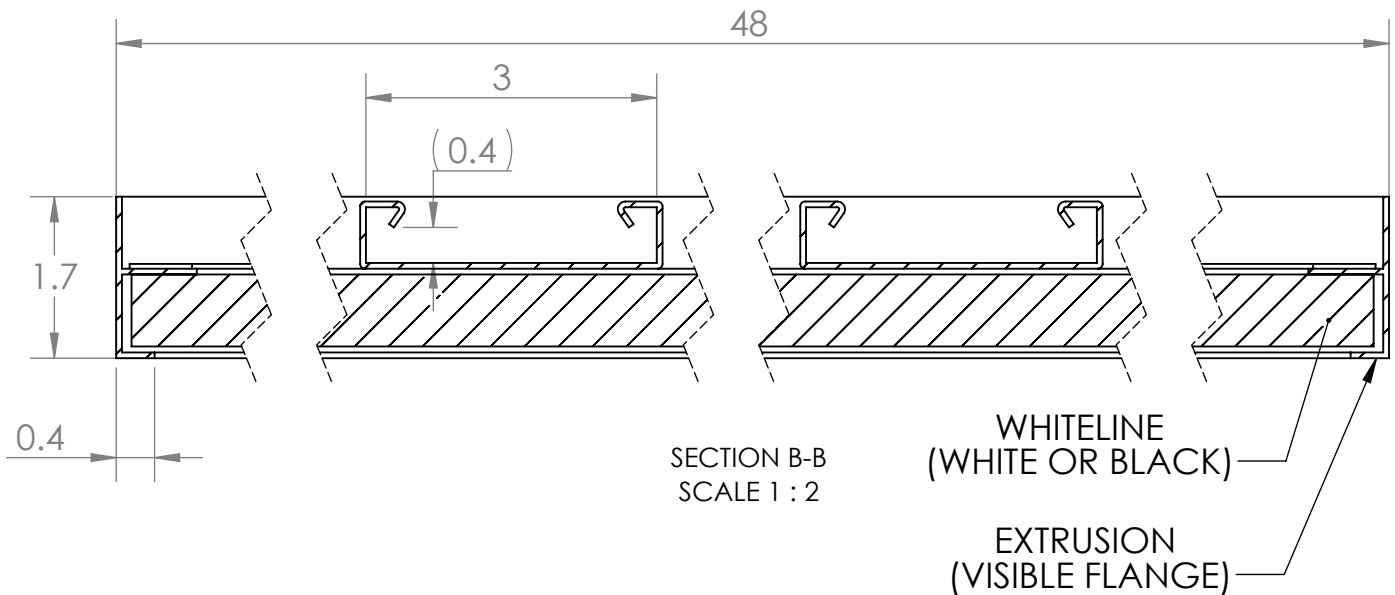
pintaacoustic

2601 49th Ave. No * Minneapolis, MN 55430
Phone 612.355.4200 * Fax 612.355.4299

File Name: BCC-4 VF

SIZE B	QUOTE #	FGI NO.	REV A
------------------	---------	---------	----------

DO NOT SCALE DRAWING SHEET 1 OF 2



Notes:

1. Due to the nature of Willtec foam, the material may grow or shrink 3-5% by volume. Squareness less than 3.0mm on diagonal.
2. Reference S&R for materials and finish.

Material:	SEE NOTES
INCHES	
DRAWN BY:	DATE:
ETM	12/11/2019
CHECKED:	DATE:
CUSTOMER APPROVAL:	DATE:
Unless Specified Tolerances are:	
X	
.X	.1
.XX	.25
.XXX	.080
Third Angle Projection	

A	DATE	DESCRIPTION	ETM
REV	DATE	DESCRIPTION	INIT.
Revision Record			
2601 49th Ave. No * Minneapolis, MN 55430 Phone 612.355.4200 * Fax 612.355.4299			
File Name: BCC-4 VF (VISIBLE FLANGE)			
SIZE	QUOTE #	FGI NO.	REV
B			A
DO NOT SCALE DRAWING		SHEET 2 OF 2	