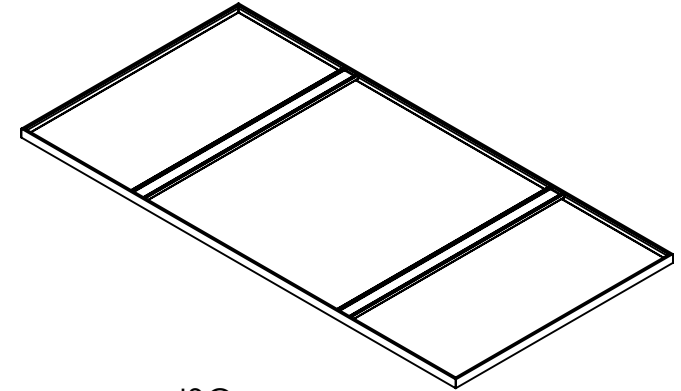


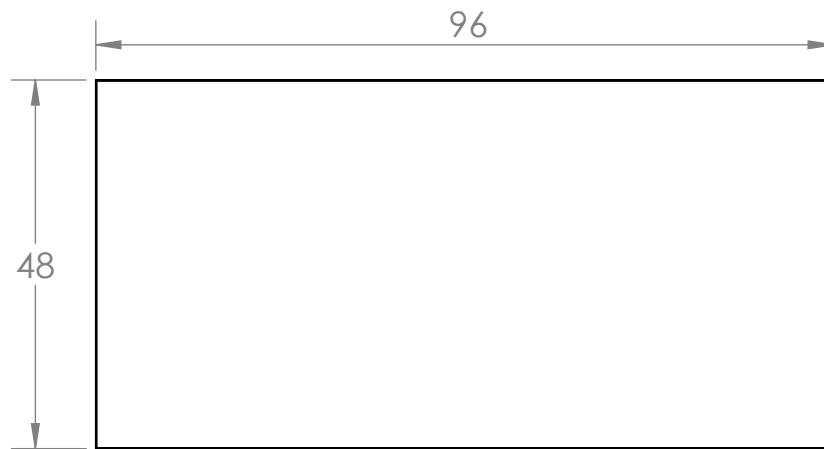
BACK



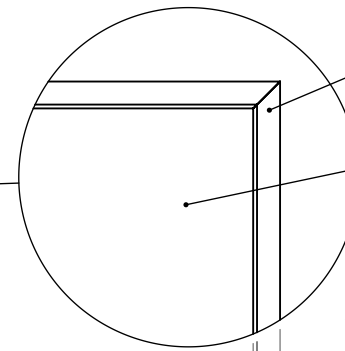
ISO



SIDE



FACE



DETAIL A  
SCALE 2 : 1



Notes:

1. Due to the nature of Willtec foam, the material may grow or shrink 3-5% by volume. Squareness less than 3.0mm on diagonal.
2. Reference S&R for materials and finish.

Material:	SEE NOTES
INCHES	
DRAWN BY:	DATE:
ETM	12/11/2019
CHECKED:	DATE:
CUSTOMER APPROVAL:	DATE:
Unless Specified Tolerances are:	
X	
.X	.1
.XX	.25
.XXX	.080
Third Angle Projection	

REV	DATE	DESCRIPTION	INIT.
A			

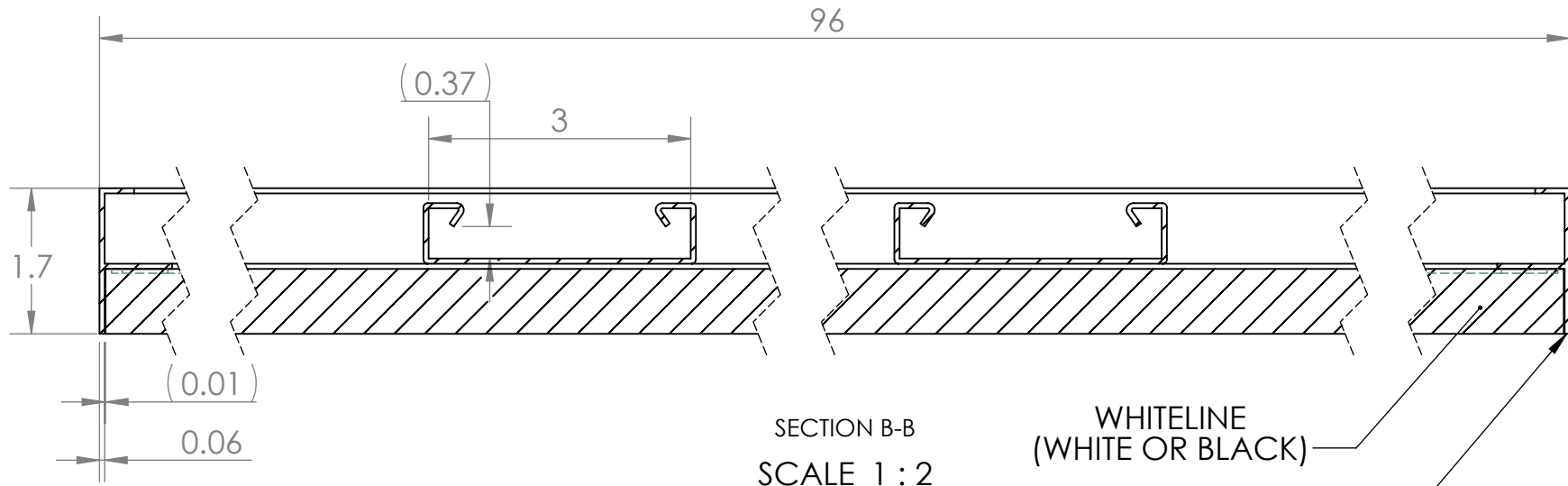
Revision Record



2601 49th Ave. No \* Minneapolis, MN 55430  
Phone 612.355.4200 \* Fax 612.355.4299

File Name: BCC-8 FE

SIZE	QUOTE #	FGI NO.	REV
B			A



SECTION B-B  
SCALE 1 : 2

WHITELINE  
(WHITE OR BLACK)

EXTRUSION  
(FLUSH EDGE)

Notes:

1. Due to the nature of Willtec foam, the material may grow or shrink 3-5% by volume. Squareness less than 3.0mm on diagonal.
2. Reference S&R for materials and finish.

Material: SEE NOTES

INCHES

DRAWN BY: ETM  
DATE: 12/11/2019

CHECKED: DATE:

CUSTOMER APPROVAL: DATE:

Unless Specified  
Tolerances are:

X  
.X .1  
.XX .25  
.XXX .080

Third Angle Projection


A	DATE	DESCRIPTION	ETM
REV	DATE	DESCRIPTION	INIT.

Revision Record



2601 49th Ave. No \* Minneapolis, MN 55430  
Phone 612.355.4200 \* Fax 612.355.4299

File Name: BCC-8 FE (FLUSH EDGE)

SIZE <b>B</b>	QUOTE #	FGI NO.	REV <b>A</b>
------------------	---------	---------	-----------------