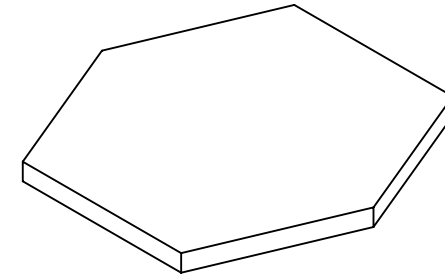


TOP



FRONT



ISO

Notes:

1. Due to the nature of Willtec foam, the material may grow or shrink 3-5% by volume. Squareness less than 3.0mm on diagonal.
2. Reference S&R for materials and finish.

Material: SEE NOTES

INCHES

DRAWN BY: ETM  
DATE: 10/1/2019

CHECKED: DATE:

CUSTOMER APPROVAL: DATE:

Unless Specified  
Tolerances are:

X  
.X .1  
.XX .25  
.XXX .080

Third Angle Projection

REV	DATE	DESCRIPTION	INIT.

Revision Record

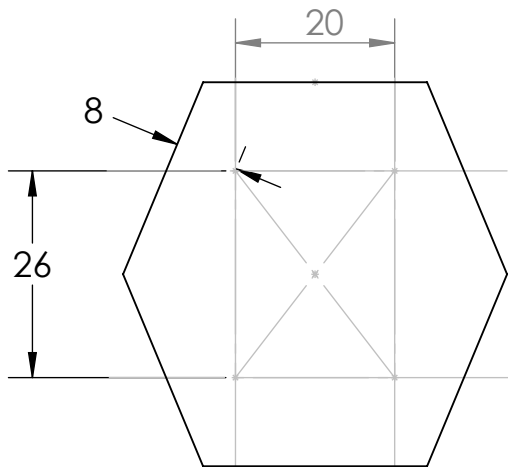


2601 49th Ave. No \* Minneapolis, MN 55430  
Phone 612.355.4200 \* Fax 612.355.4299

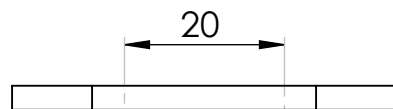
File Name: HEX CLOUD 3x48x48

SIZE	QUOTE #	FGI NO.	REV
B			A

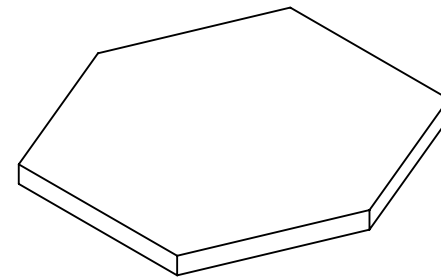
FLAT MOUNTING POINTS



TOP



FRONT



ISO

Notes:

1. Due to the nature of Willtec foam, the material may grow or shrink 3-5% by volume. Squareness less than 3.0mm on diagonal.
2. Reference S&R for materials and finish.

Material: SEE NOTES

INCHES

DRAWN BY: ETM  
DATE: 10/1/2019

CHECKED: DATE:

CUSTOMER APPROVAL: DATE:

Unless Specified Tolerances are:

X  
.X .1  
.XX .25  
.XXX .080

Third Angle Projection

REV	DATE	DESCRIPTION	INIT.
A	DATE	DESCRIPTION	ETM

Revision Record



2601 49th Ave. No \* Minneapolis, MN 55430  
Phone 612.355.4200 \* Fax 612.355.4299

File Name: HEX CLOUD 3x48x48

SIZE	QUOTE #	FGI NO.	REV
B			A