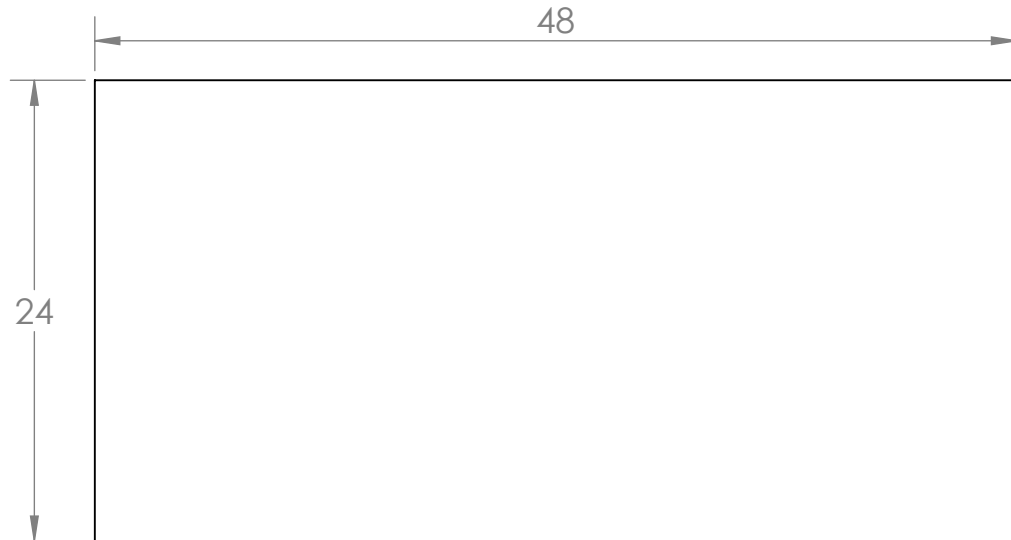
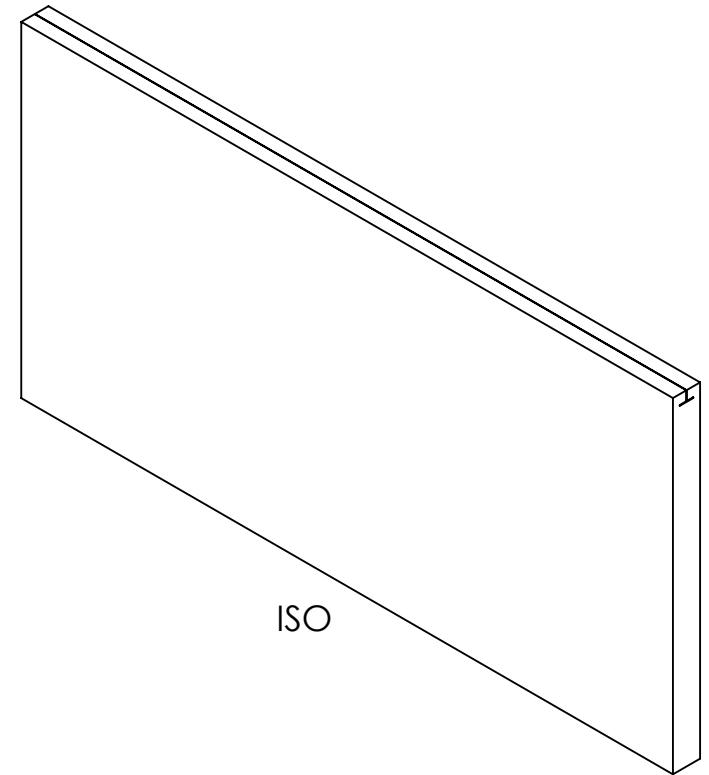


TOP



FRONT



Notes:

1. Due to the nature of Willtec foam, the material may grow or shrink 3-5% by volume. Squareness less than 3.0mm on diagonal.
2. Reference S&R for materials and finish.

Material: SEE NOTES

INCHES

DRAWN BY: ETM
DATE: 10/9/2019

CHECKED: DATE:

CUSTOMER APPROVAL: DATE:

Unless Specified
Tolerances are:

X
.X .1
.XX .25
.XXX .080

Third Angle Projection

REV	DATE	DESCRIPTION	INIT.
A	DATE	DESCRIPTION	ETM

Revision Record

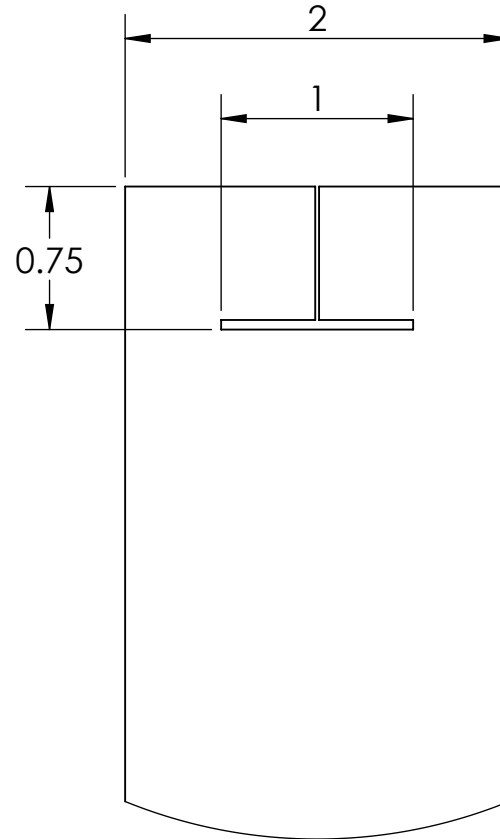


2601 49th Ave. No * Minneapolis, MN 55430
Phone 612.355.4200 * Fax 612.355.4299

File Name: PLANO 2X24X48 IN

SIZE B	QUOTE #	FGI NO.	REV A
------------------	---------	---------	-----------------

T SLOT DETAIL



Material: SEE NOTES

INCHES

DRAWN BY: ETM
DATE: 10/9/2019

CHECKED: DATE:

CUSTOMER APPROVAL: DATE:

Unless Specified
Tolerances are:

X
.X .1
.XX .25
.XXX .080

Third Angle Projection

REV	DATE	DESCRIPTION	INIT.
A	DATE	DESCRIPTION	ETM

Revision Record



2601 49th Ave. No * Minneapolis, MN 55430
Phone 612.355.4200 * Fax 612.355.4299

File Name: PLANO 2X24X48

SIZE B	QUOTE #	FGI NO.	REV A
------------------	---------	---------	----------