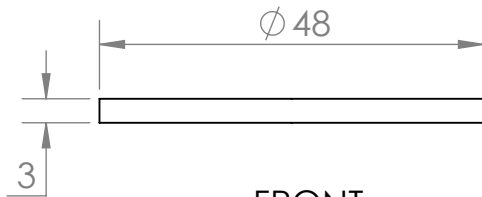
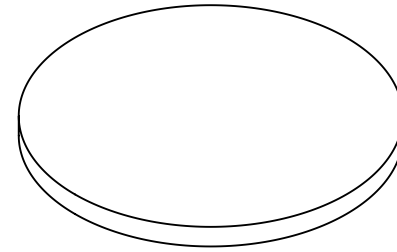


TOP



FRONT



ISO

Notes:

1. Due to the nature of Willtec foam, the material may grow or shrink 3-5% by volume. Squareness less than 3.0mm on diagonal.
2. Reference S&R for materials and finish.

Material: SEE NOTES

INCHES

DRAWN BY: ETM DATE: 10/1/2019

CHECKED: DATE:

CUSTOMER APPROVAL: DATE:

Unless Specified Tolerances are:

X
.X .1
.XX .25
.XXX .080

Third Angle Projection

| REV | DATE | DESCRIPTION | INIT. |
|-----|------|-------------|-------|
| A | DATE | DESCRIPTION | ETM |
| | | | |
| | | | |
| | | | |

Revision Record

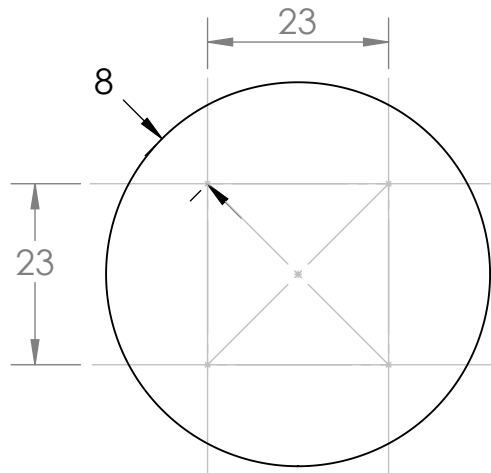


2601 49th Ave. No * Minneapolis, MN 55430
Phone 612.355.4200 * Fax 612.355.4299

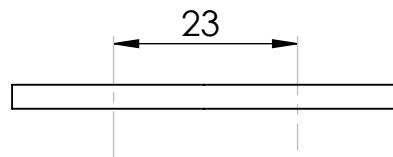
File Name: ROUND CLOUD 3x48x48

| SIZE | QUOTE # | FGI NO. | REV |
|------|---------|---------|-----|
| B | | | A |

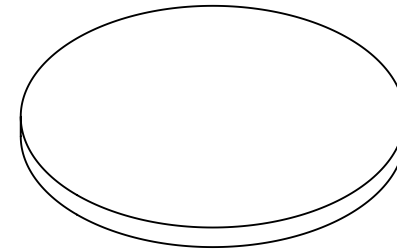
FLAT MOUNTING POINTS



TOP



FRONT



ISO

Notes:

1. Due to the nature of Willtec foam, the material may grow or shrink 3-5% by volume. Squareness less than 3.0mm on diagonal.
2. Reference S&R for materials and finish.

Material: SEE NOTES

INCHES

DRAWN BY: ETM
DATE: 10/1/2019

CHECKED: DATE:

CUSTOMER APPROVAL: DATE:

Unless Specified
Tolerances are:

X
.X .1
.XX .25
.XXX .080

Third Angle Projection 

| | | | |
|--|--|--|--|
| | | | |
| | | | |
| | | | |
| | | | |

| | | | |
|-----|------|-------------|-------|
| A | DATE | DESCRIPTION | ETM |
| REV | DATE | DESCRIPTION | INIT. |

Revision Record



2601 49th Ave. No * Minneapolis, MN 55430
Phone 612.355.4200 * Fax 612.355.4299

File Name: ROUND CLOUD 3x48x48

| | | | |
|------------------|---------|---------|-----------------|
| SIZE B | QUOTE # | FGI NO. | REV A |
|------------------|---------|---------|-----------------|