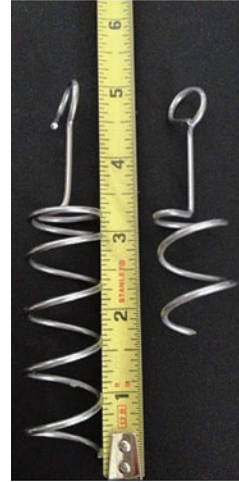


# WHISPERWAVE™ Panels, Baffles, Ceiling Clouds and Awnings

## Installation Instructions

### Corkscrews

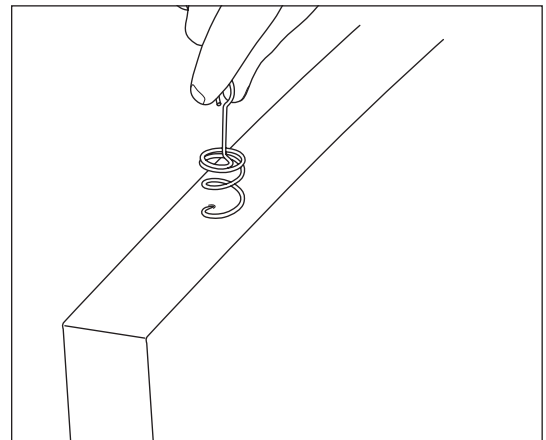


WHISPERWAVE clouds are usually shipped with four short stainless steel corkscrews for hanger wire suspension.

### Vertical Suspended Baffle Applications

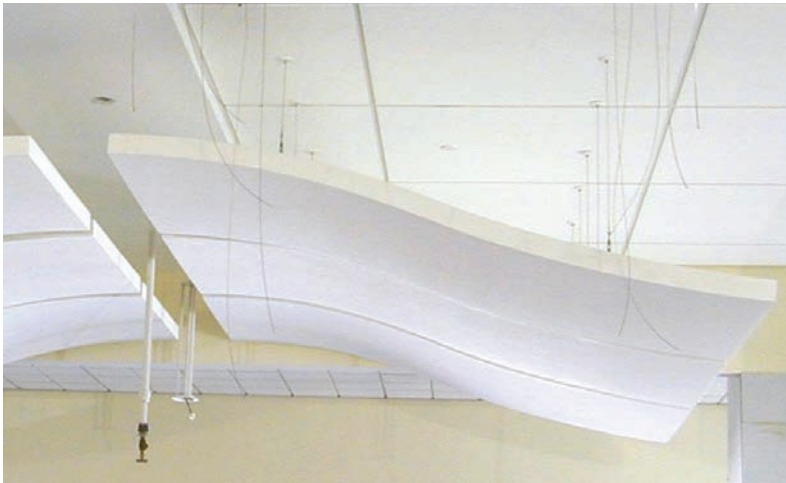


Place at suspension points where necessary, press down firmly and turn the corkscrew clockwise until the top of the coil is completely seated along the top of the baffle.



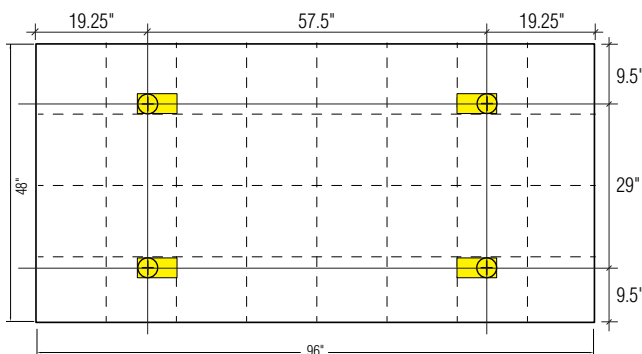
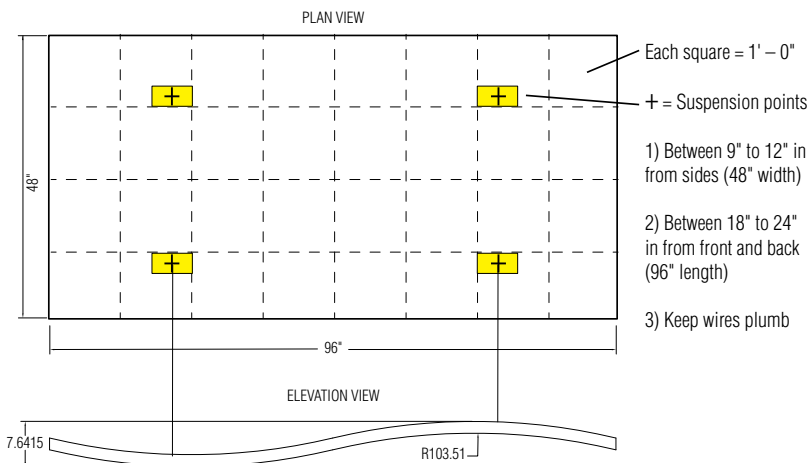
Depending on overall panel lengths, 2 or 3 long corkscrews are usually shipped for vertically suspended WHISPERWAVE applications.

### Horizontal Suspended S-Shaped Cloud Applications



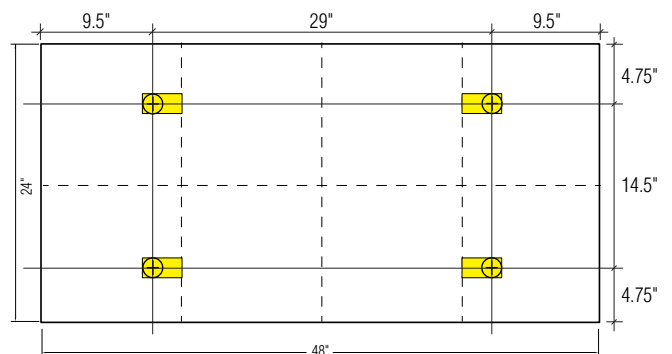
Four points are usually all that is necessary to suspend ceiling clouds in place. Keep corkscrews, hanger wires and anchors overtop in exact alignment, true and plumb.

To find the approximate distances away from the sides to install the corkscrew hangers, multiply the width and length by 0.20.



#### 4' x 8' S-Shaped Clouds

Set the corkscrew hangers 9-1/2" away from the sides and 19-1/4" in the front and back of the cloud.



#### 2' x 4' S-Shaped Clouds

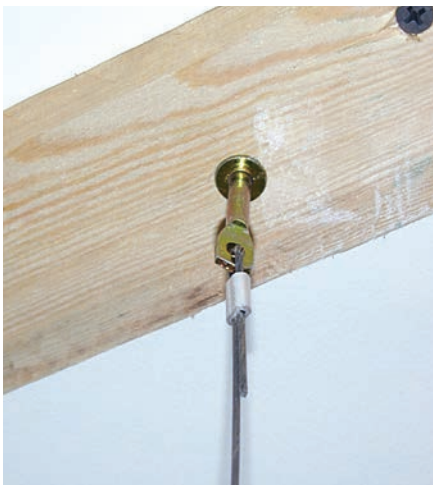
Set the corkscrew hangers 4-3/4" away from the sides and 9-1/2" in the front and back of the cloud.

### Corkscrews with Light-gauge Hanger Wire Suspension Applications



For custom convex WHISPERWAVE clouds multiply the width and length by 0.20 to determine approximate distances to set corkscrew hangers away from the sides, front and back.

### Miscellaneous Suspension Accessories



Please consult pinta acoustic for technical assistance to suit your specific project requirements.

T-slot, Main Runner  
Suspended Front-to-Back  
Cloud Pairs



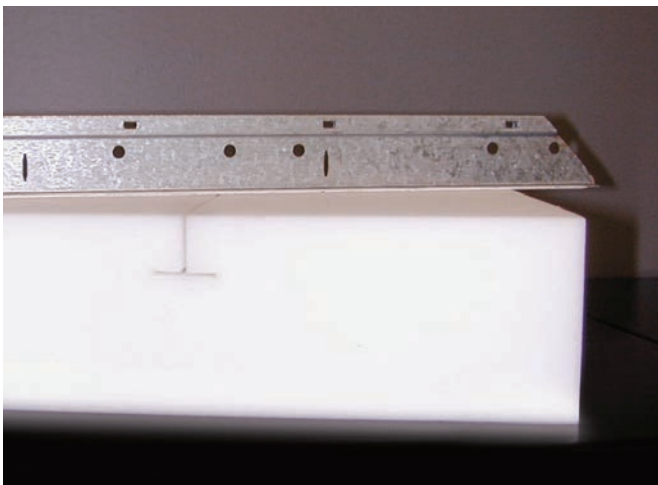
Custom flat WHISPERWAVE clouds.

T-slot, Main Runner  
Suspended Side-by-Side  
Cloud Pairs



Custom s-shape WHISPERWAVE clouds.

T-slot, Main Runner  
Detail Setup



Suspension options with WHISPERWAVE clouds.

T-slot, Main  
Runner Suspension

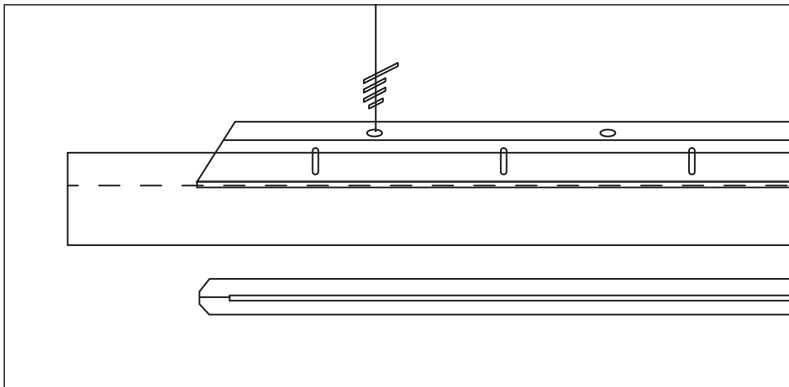


WHISPERWAVE clouds can be custom produced with factory-cut T-slots for ganged suspension applications using standard 15/16" main runners. Slide the main runners through the T-slots into position as required.

Please consult pinta acoustic for technical assistance to suit your specific project requirements.

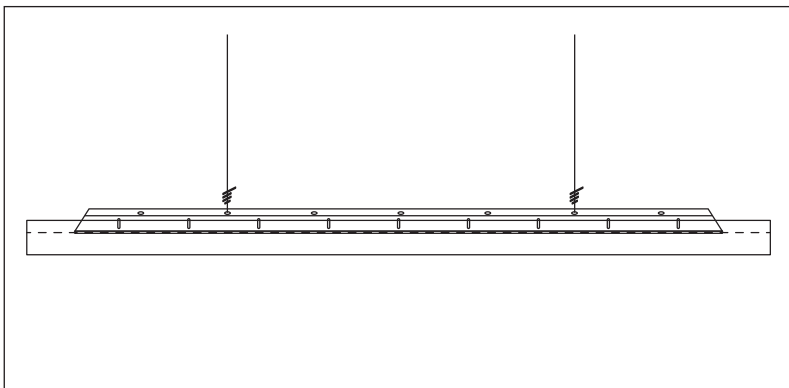


### 15/16" Main Runners



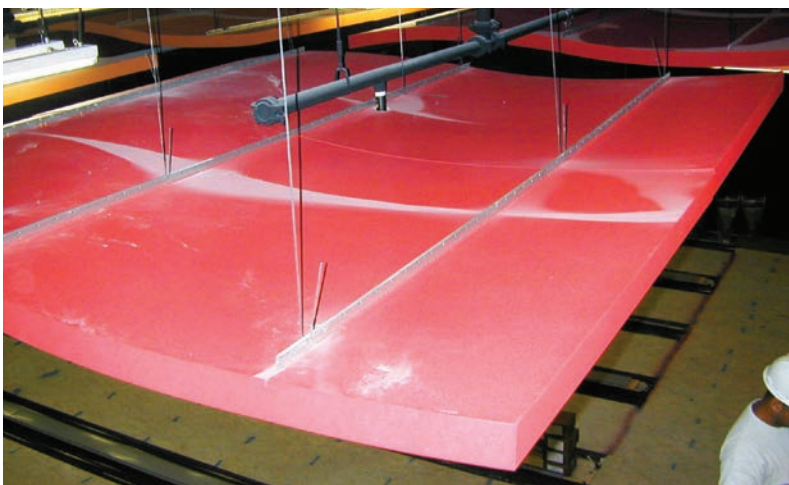
Cut the main runners back to suit cloud. Taper the ends and back-cut the bottom flange corners to help slide through t-slots easily.

### T-slot, Main Runner Suspension



Cut the main runners back approximately 3" to 4" from the sides and inset hanger wires plumb to cantilever and balance the cloud correctly. Keep wires as invisible from view as possible.

### T-slot, Main Runner Suspension



The t-slot, main runner installation method allows carpenters to quickly join s-shape WHISPERWAVE clouds side by side on the bench before being suspended together for faster installation times.

Please consult pinta acoustic for technical assistance to suit your specific project requirements.

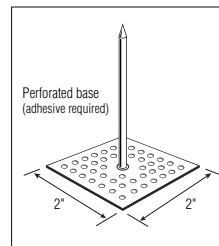
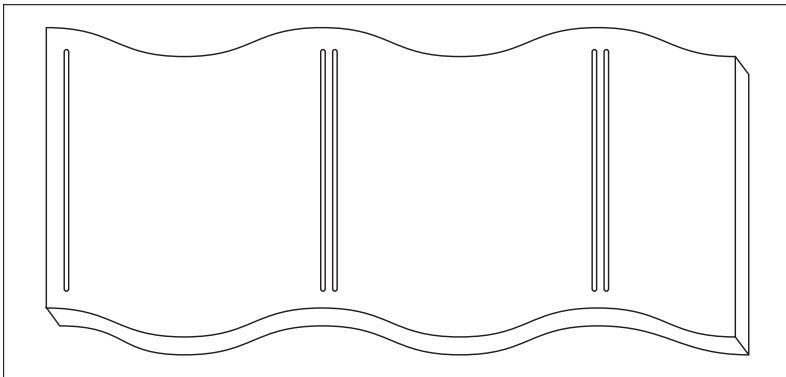
## WHISPERWAVE Ribbon Wall Panel

### Direct-Apply Installations Using acouSTIC Adhesive



Substrates must be clean, dust- and oil-free. Prep surfaces to ensure the best bond. Cut the tube end to produce a 1/4"-diameter bead of adhesive.

Apply beads of adhesive as shown. Gently slide the panel into position side to side and up and down. Press onto the substrate. Hold the panel in position for 5 seconds. If necessary, remove panels from the surface for about one minute to allow the adhesive to become tacky with exposure to the air. Then press the panel back into position.



Stick pins, optional  
(not by pinta acoustic)

When creating continuous panel rows, use white hot-melt glue between ends to ensure the seams remain tight.



Hot-melt glue accessories not provided by pinta acoustic.

Please consult pinta acoustic for technical assistance to help plan your specific project requirements.